

SemiDynamics High Bandwidth Vector-capable RISC-V Cores

Roger Espasa, PhD

CEO

SemiDynamics

- European Based RISC-V IP Provider
 - HQ in Barcelona
- Proud participant in the European Processor Initiative (EPI)
 - RISC-V Acceleration core supplied by SemiDynamics

Introducing 2 new RISC-V IP Cores

AVISPADO 220

2-wide **In-Order**

Gazzillion Misses™

RISC-V Vector Support

ATREVIDO 220

2-wide **Out-of-Order**

Gazzillion Misses™

RISC-V Vector Support

Available for licensing

What's a high bandwidth core?

A core with lots of outstanding
memory requests

A core with Gazzillion Misses™

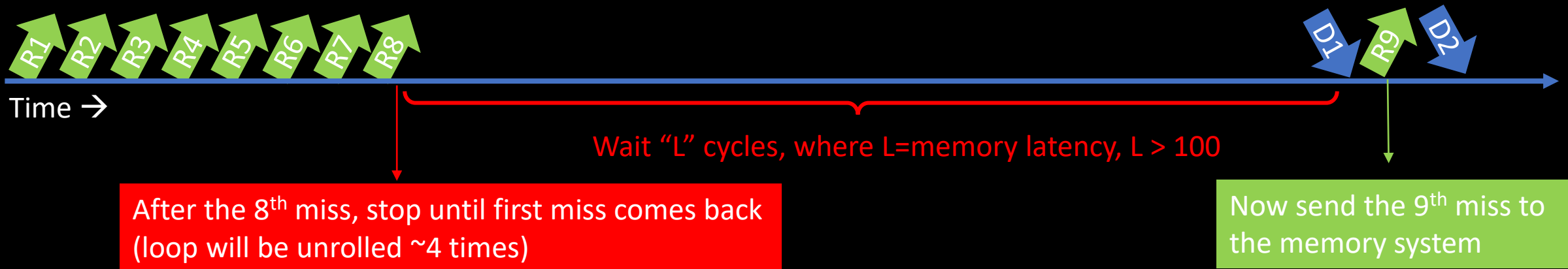
Example: Gathering Sparse Data with 8 outstanding requests

Original Program

```
while ( condition )  
    load  a[index[i]]  
    load  b[i]  
    compute  
    store c[i]
```

Stylized Assembly Code

```
top:  
    load  index[i] -> x5  
    load  (x5) -> x6  
    load  b[i] -> x7  
    compute x6, x7 -> x8  
    store x8 -> c[i]  
    loop to top
```



Example: Gathering Sparse Data with *Gazzillion Misses*TM

Original Program

```
while ( condition )
  load  a[index[i]]
  load  b[i]
  compute
  store c[i]
```

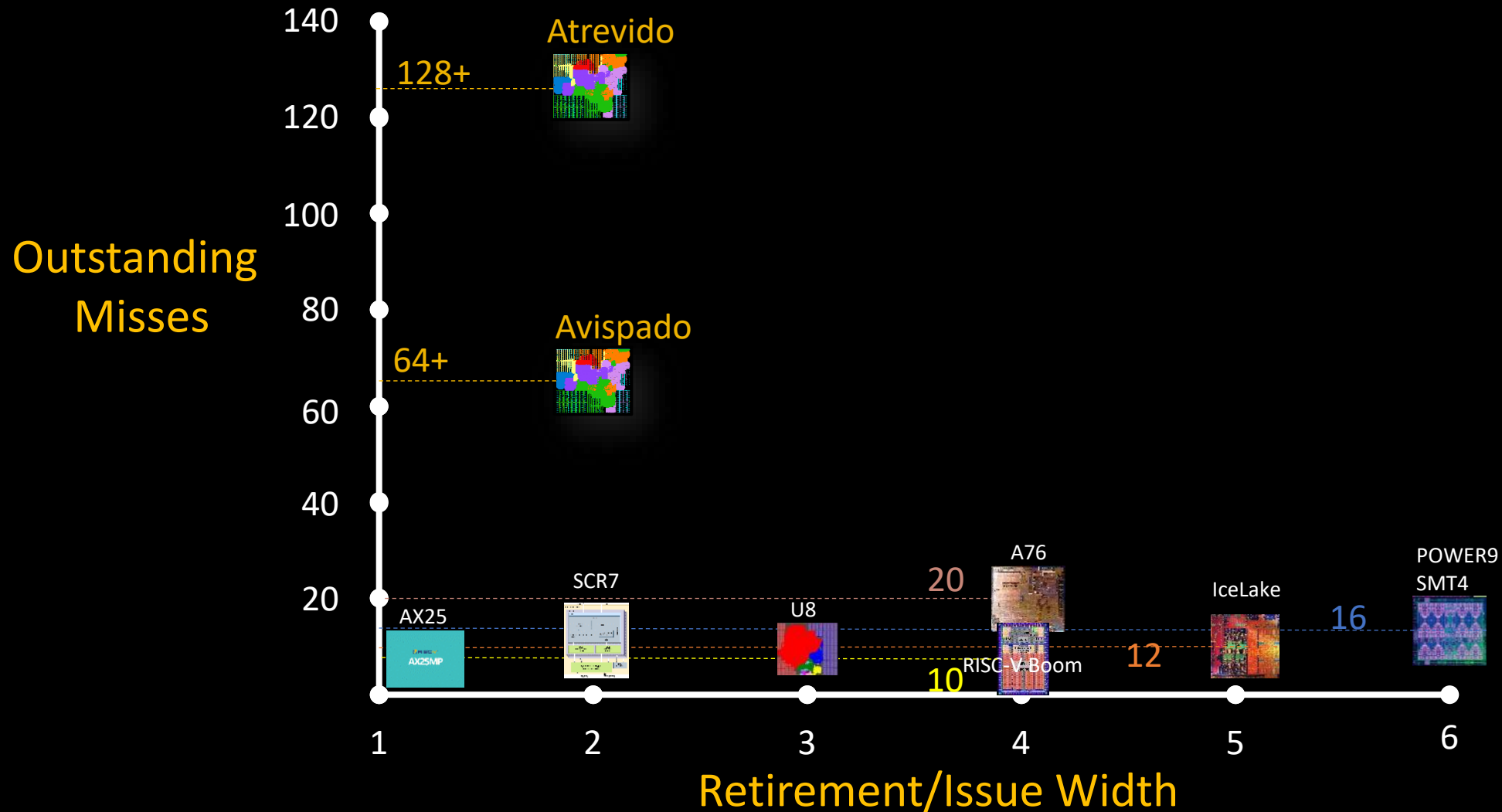
Stylized Assembly Code

```
top:
  load  index[i] -> x5
  load  (x5) -> x6
  load  b[i] -> x7
  compute x6, x7 -> x8
  store x8 -> c[i]
  loop to top
```



After the 8th miss, continue sending requests!

Comparison to other cores

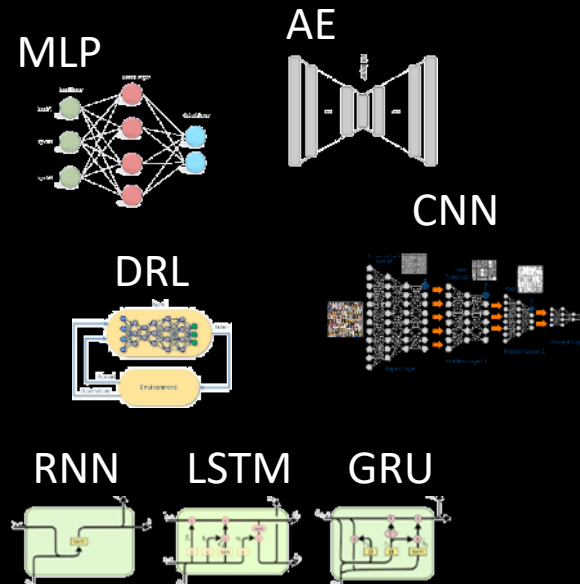


Gazzillion Misses™ good for...

Machine Learning



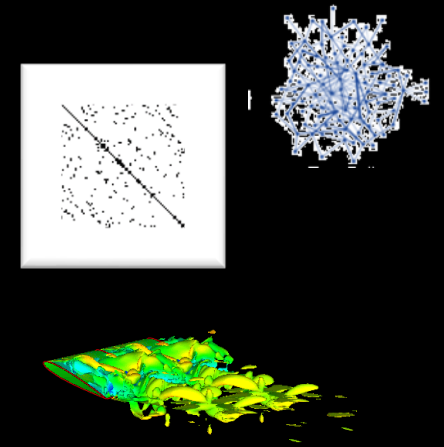
Recommendation Systems



Key-Value Stores



Sparse Data / HPC

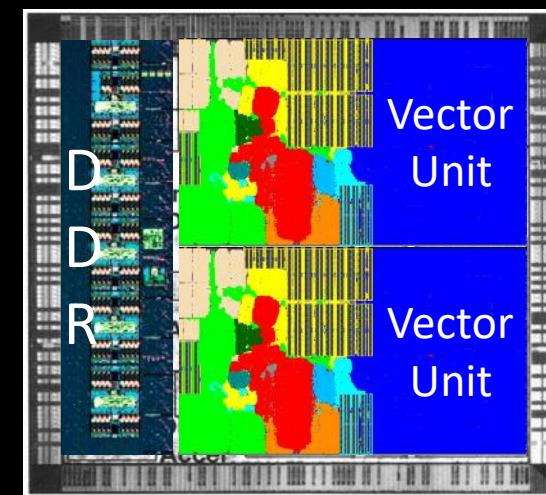
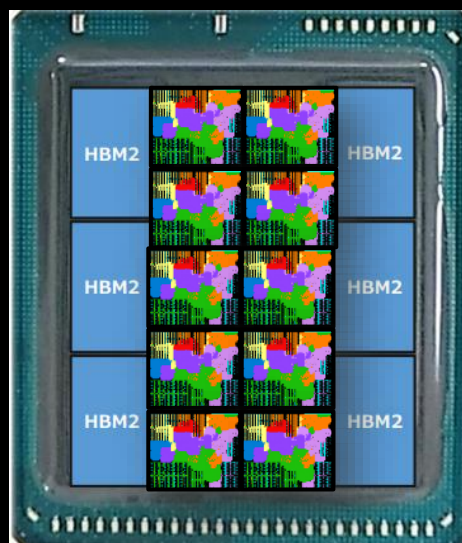
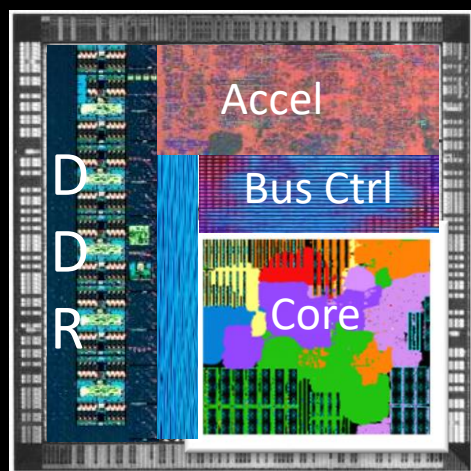


Gazzillion Misses™ good for SoCs...

With Limited
SRAM/Cache

High Bandwidth/
Streaming

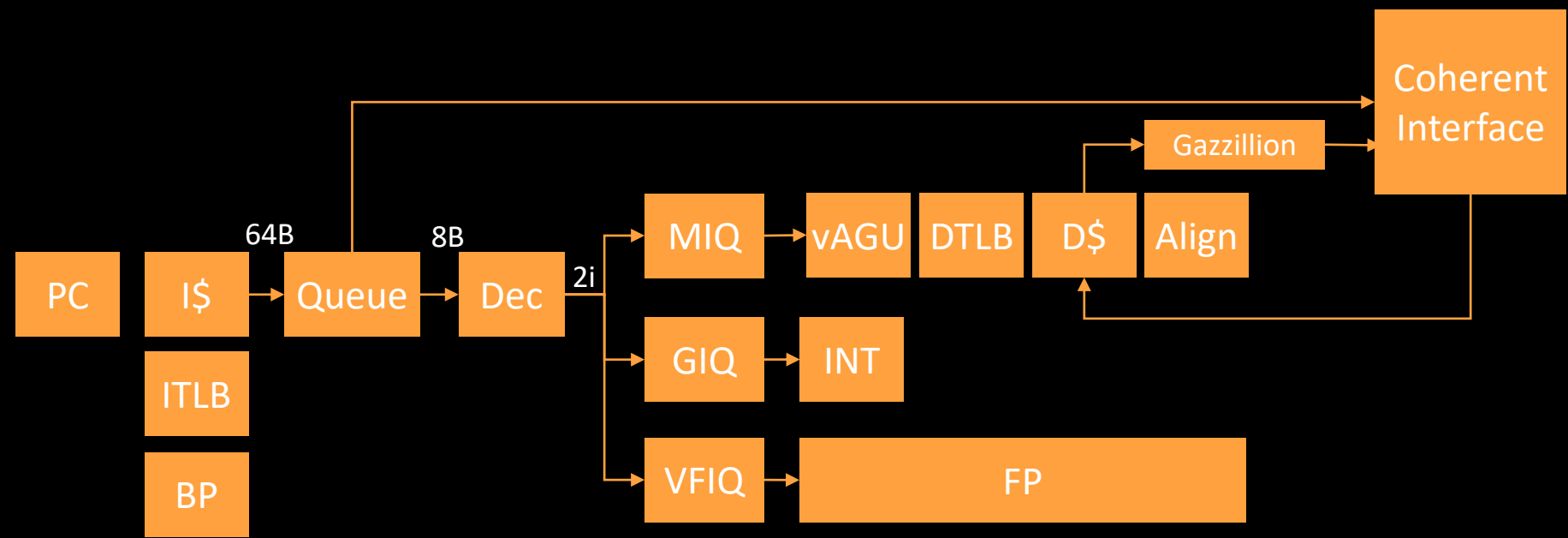
With Vector Units



Avispado Core Details

AVISPADO 220

RISCV64GCV



- SV48
- 16KB I\$
- Decodes upcoming V1.0 vector spec
- 32KB D\$
- Full hardware support for unaligned accesses
- Coherent (TL, ACE, CHI)

Available for licensing

Customizable upon request

- Cache Size / Associativity
- Coherent Interface
- In-flight instructions

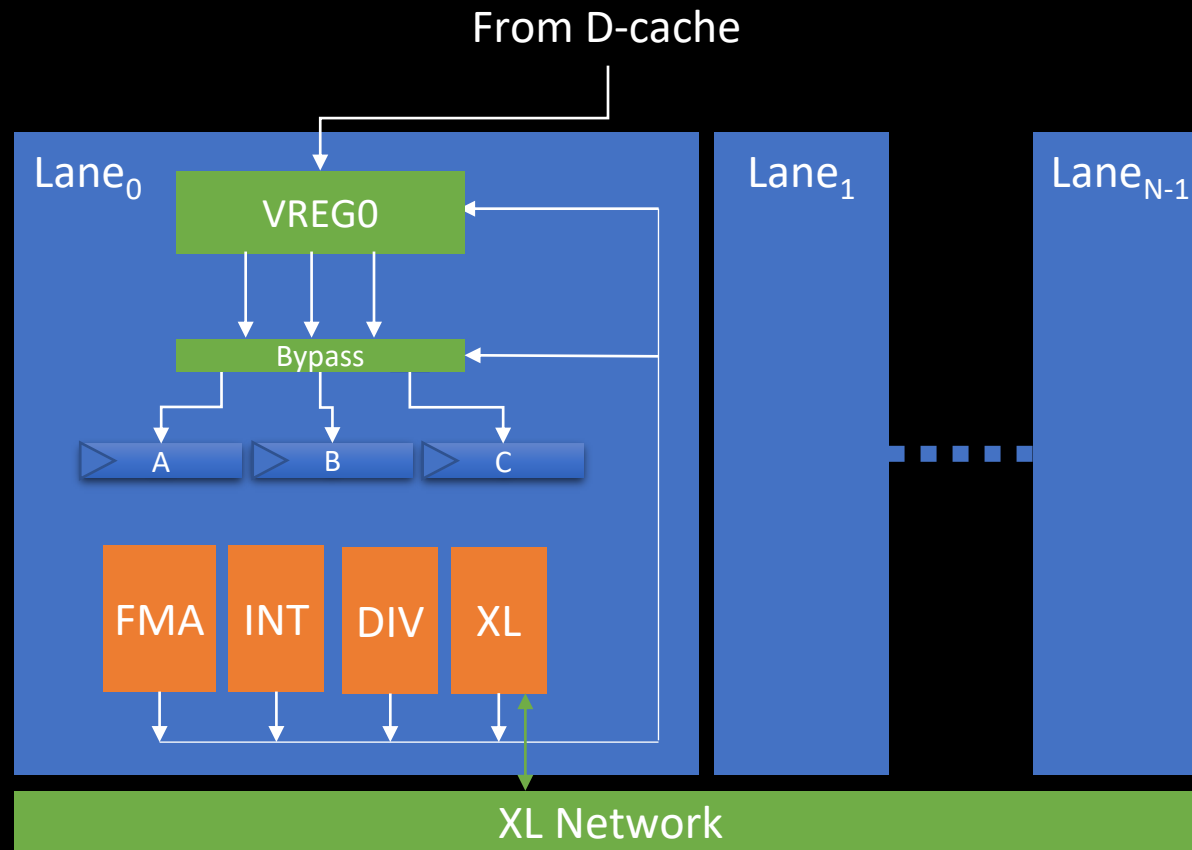
Introducing SemiDynamics' RISC-V Vector Processing Unit

SemiDynamics' VPU

- Implements the RISC-V Vector 1.0 Specification
 - Including Imul, segmented loads
 - No vector atomics (out of 1.0 spec)
- Ready for OOO support
 - Renaming
- Customizable settings
 - VLEN = vreg size = from 128b to 4096b
 - Data path width = from 128b to 512b
 - Fast cross-lane network for slide/rgather/compress/expand

Available for licensing 3 months after V-spec freeze

VPU Block Diagram

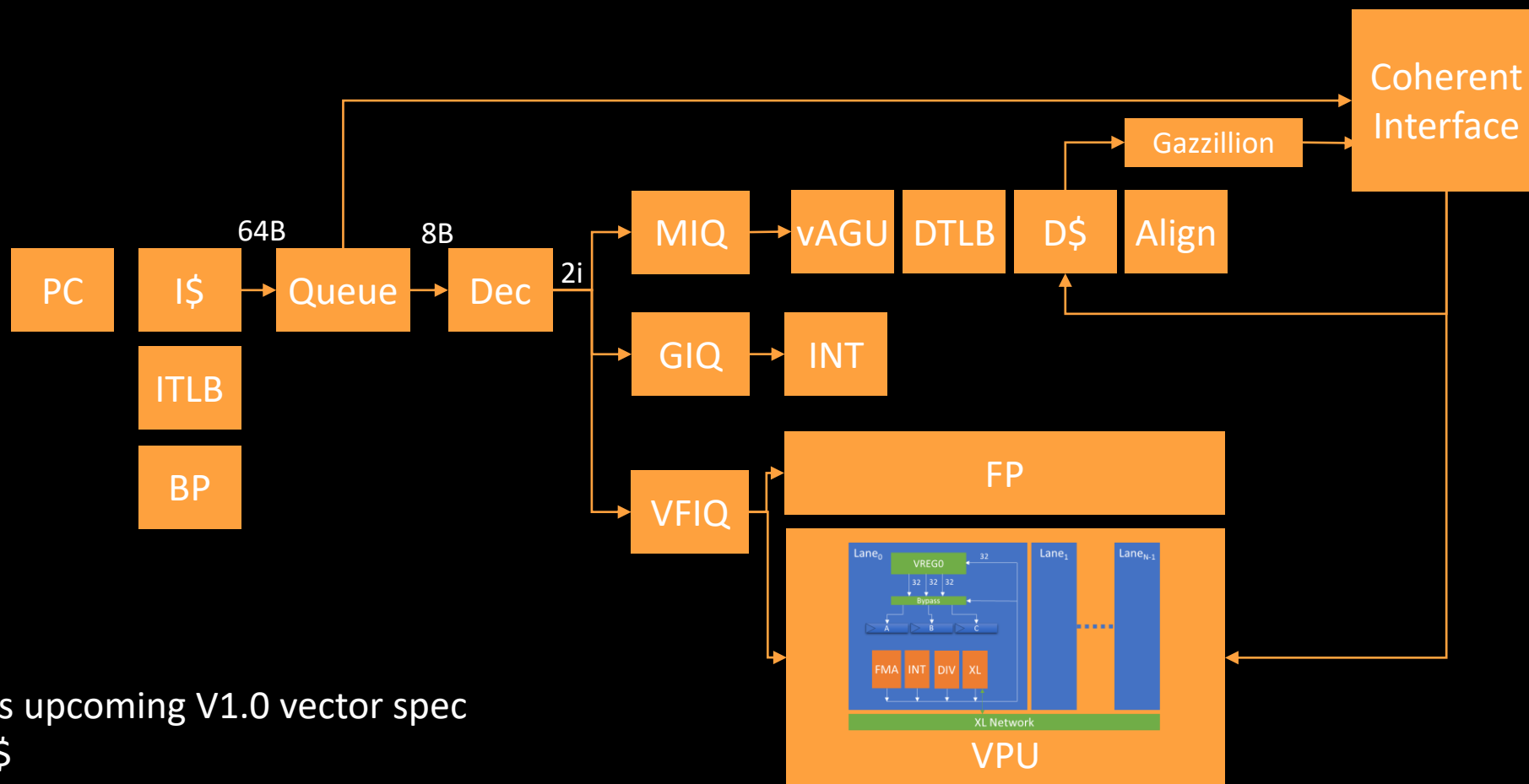


- Lane based organization
- Full cache-line bus from D-cache
- Units per lane
 - FMA
 - INT
 - DIV
 - XL: Cross-lane (rgather, ...)
- Full masking support

Available for licensing 3 months after V-spec freeze

AVISPADO 220 with VPU

RISCV64GCV



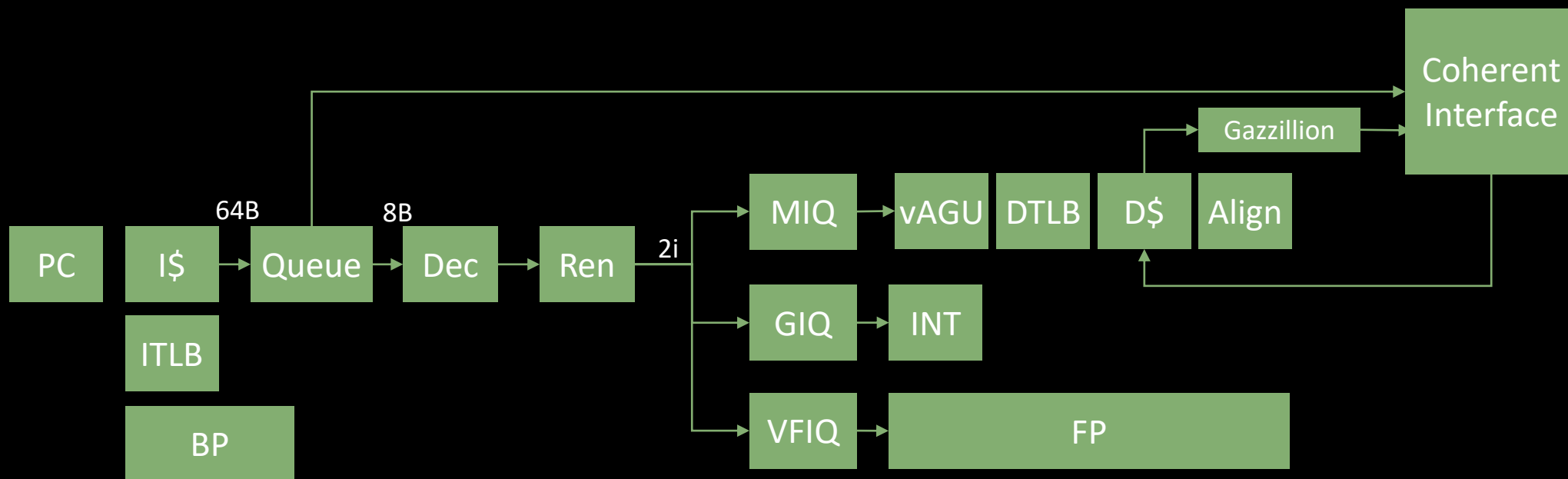
- SV48
- 16KB I\$
- Decodes upcoming V1.0 vector spec
- 32KB D\$
- Full hardware support for unaligned accesses
- Coherent (TL, ACE, CHI)
- Vector Memory (vle, vlse, vlxe, vse, ...) processed by MIQ/LSU

Available for licensing 3 months after V-spec freeze

Atrevido Core Details

ATREVIDO 220

RISCV64GCV



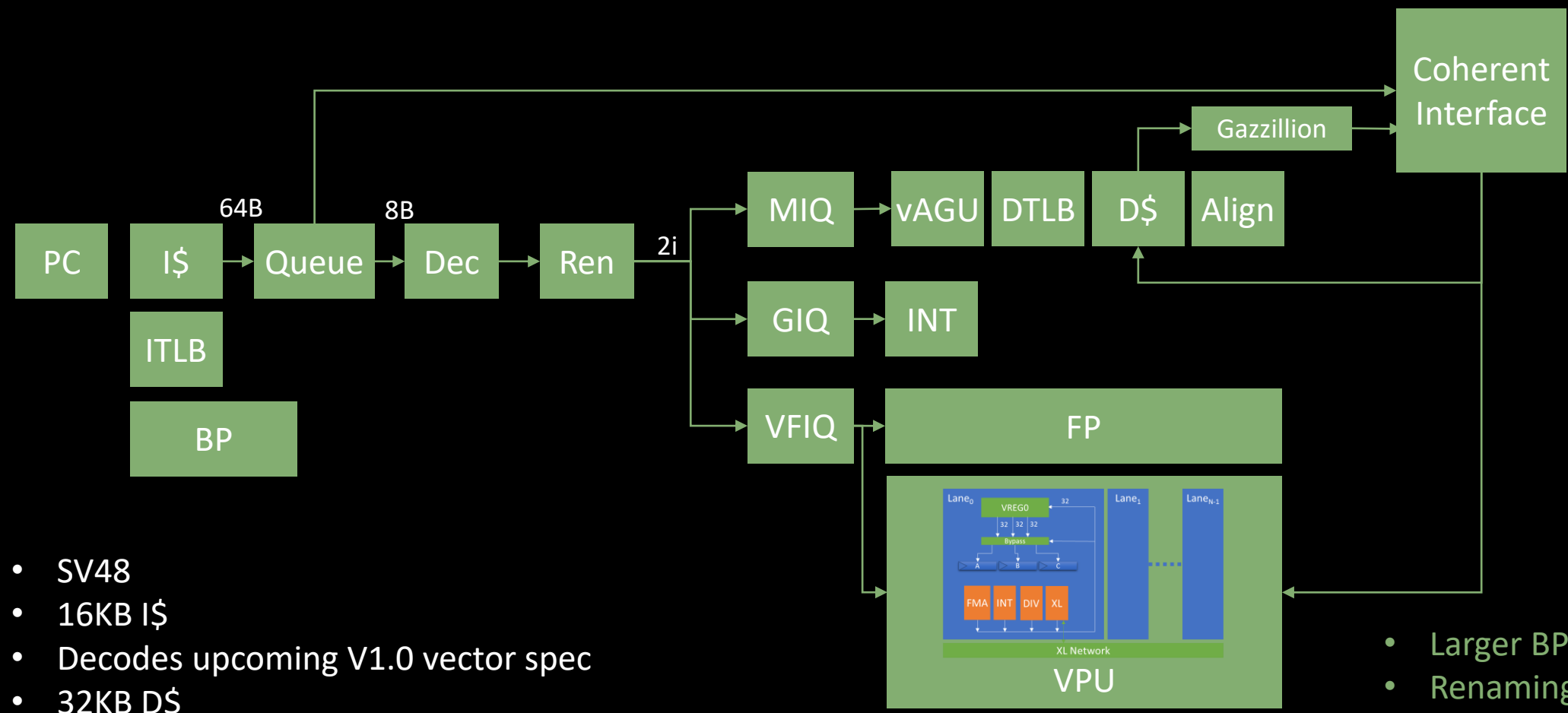
- SV48
- 16KB I\$
- Decodes upcoming V1.0 vector spec
- 32KB D\$
- Full hardware support for unaligned accesses
- Coherent (TL, ACE, CHI)

- Larger BP
- Renaming
- Retirement Logic

Available for licensing

ATREVIDO 220 with VPU

RISCV64GCV



- SV48
- 16KB I\$
- Decodes upcoming V1.0 vector spec
- 32KB D\$
- Full hardware support for unaligned accesses
- Coherent (TL, ACE, CHI)

- Larger BP
- Renaming
- Retirement Logic

Available for licensing 3 months after V-spec freeze

Summary

AVISPADO 220 

2-wide **In-Order**

Gazzillion Misses™

VPU 1.0

ATREVIDO 220 

2-wide **Out-of-Order**

Gazzillion Misses™

VPU 1.0

IP cores available for licensing

Thank you!

www.semidynamics.com

info@semidynamics.com